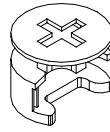


A - 8



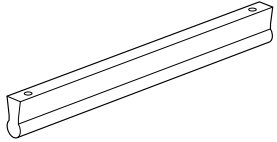
B - 4



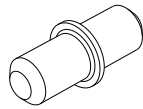
C - 4



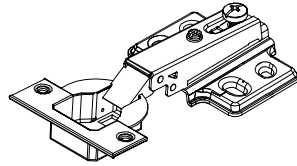
D - 8



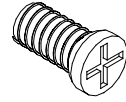
G - 2



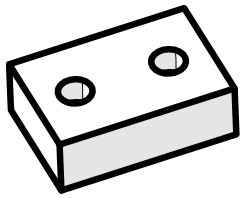
T - 8



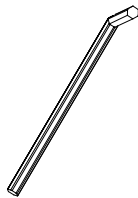
HF - 4



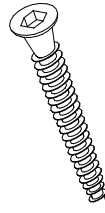
SH (6,2x13)- 8



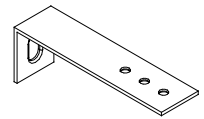
LP - 4



I - 1



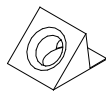
K - 4



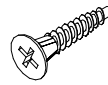
JW - 1



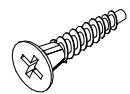
M - 4



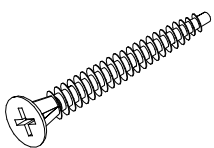
R - 10



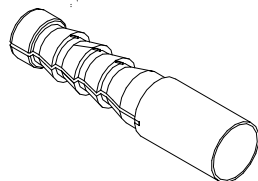
S1 (16mm)- 21



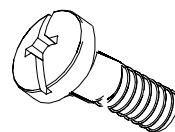
S3 (20mm)- 8



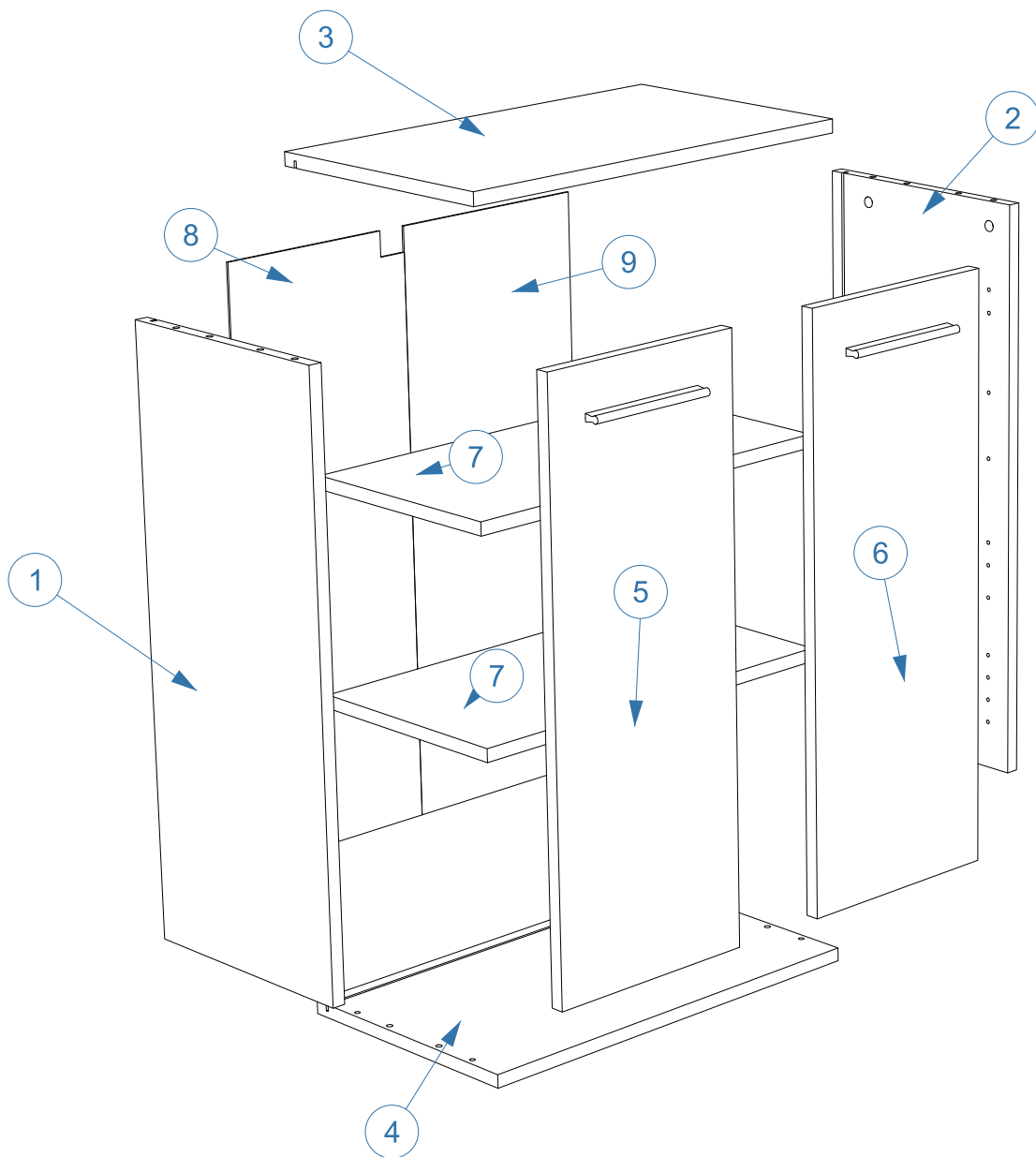
SW(6x60) - 1

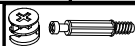


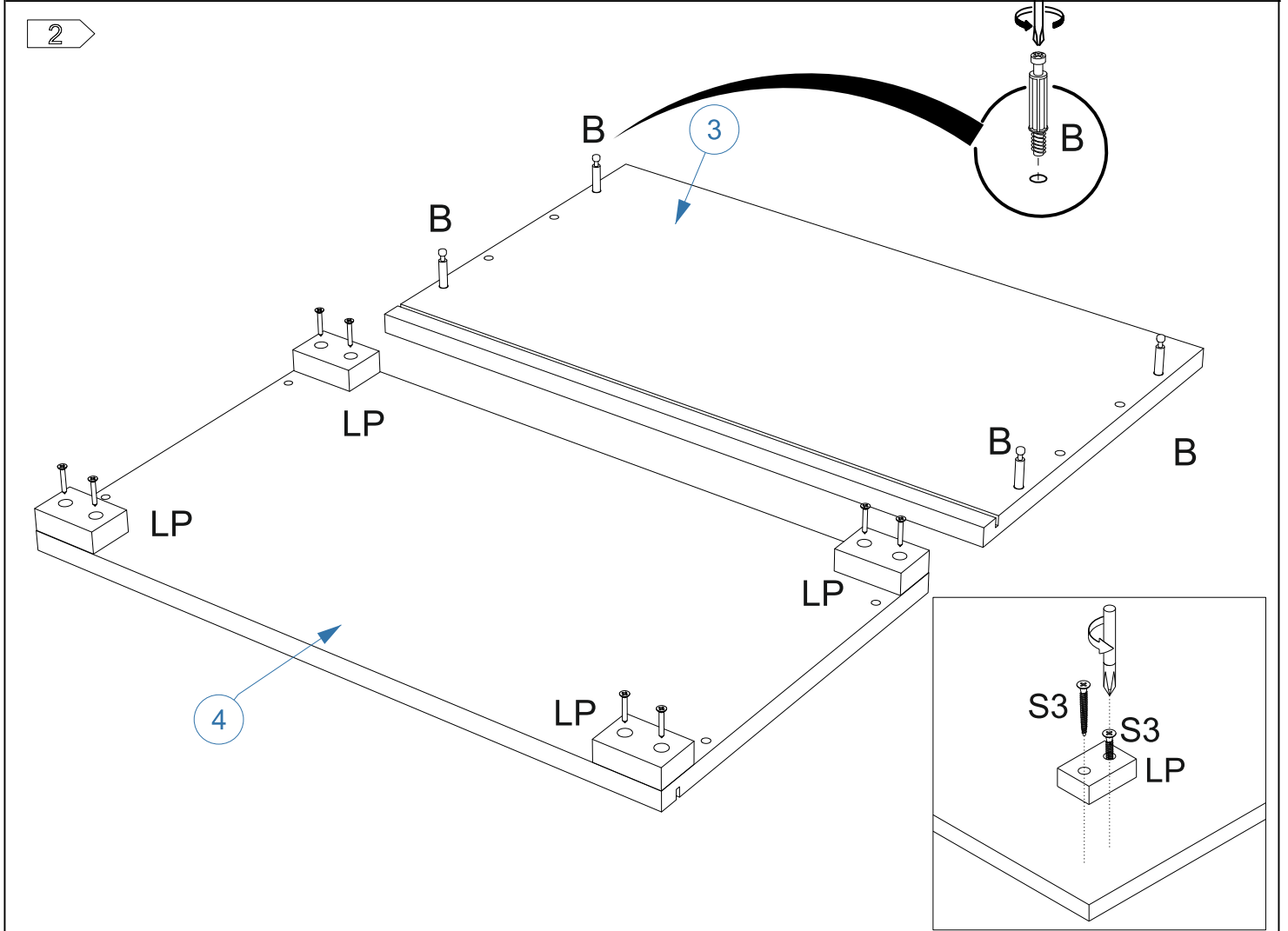
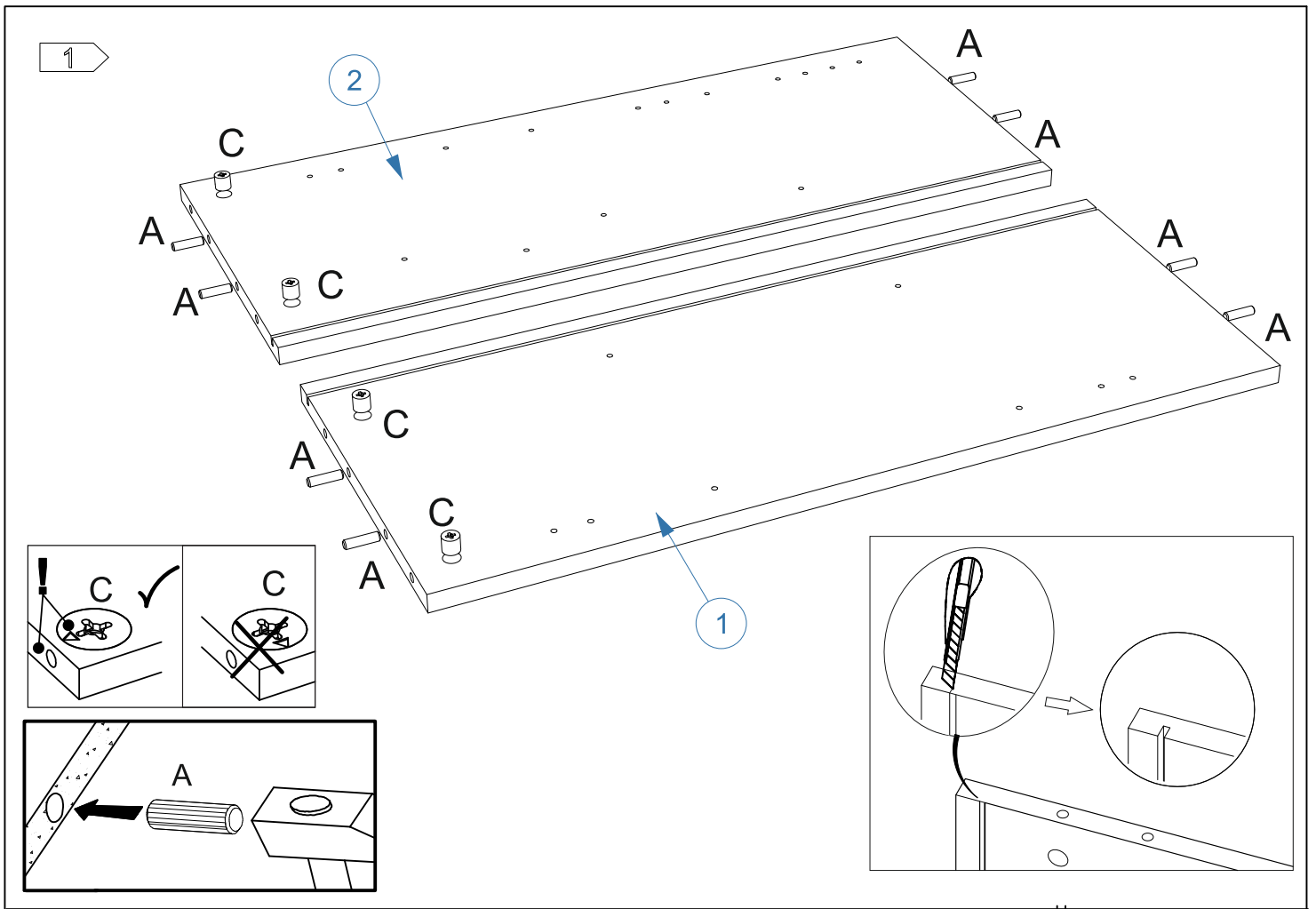
W - 1



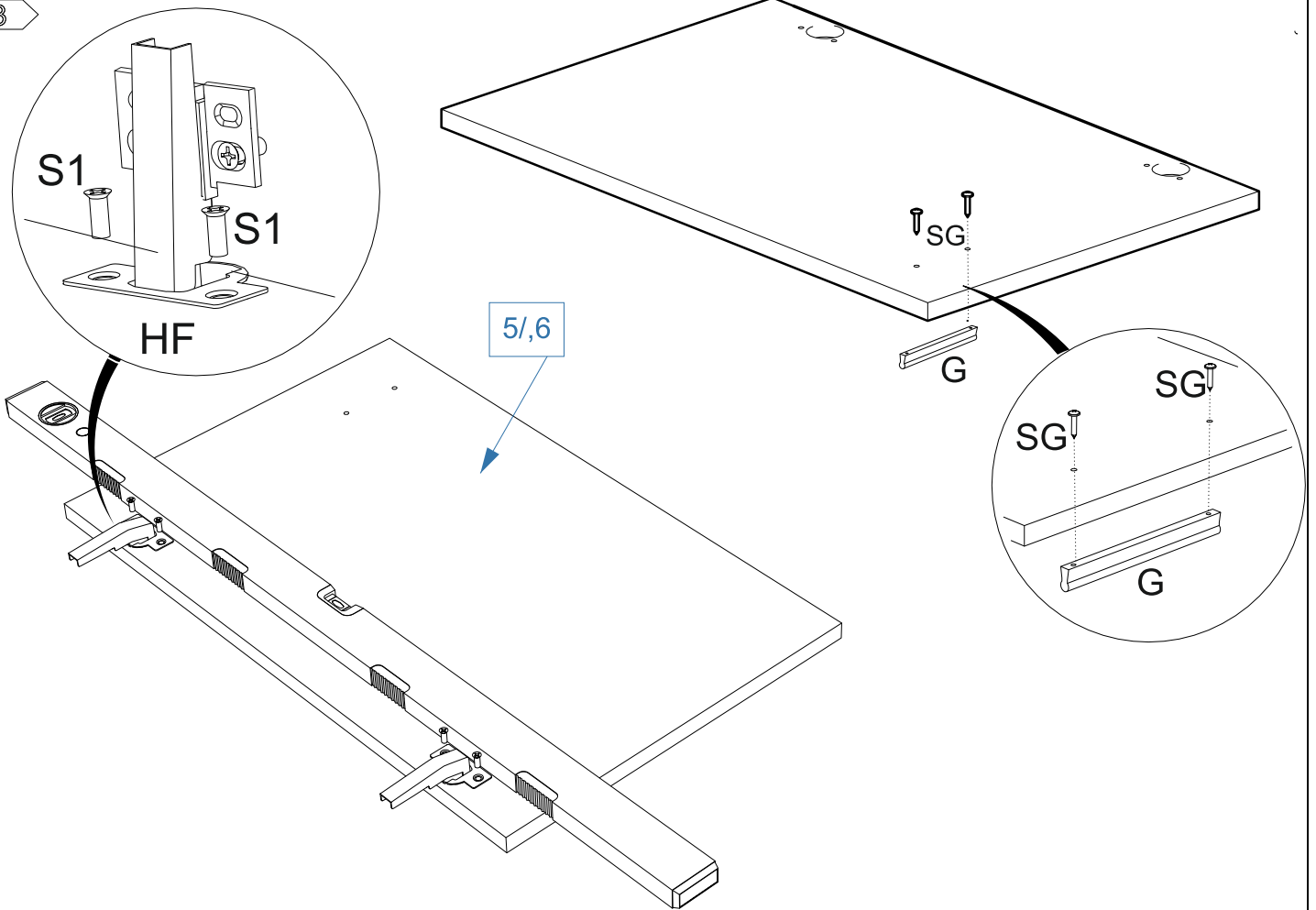
SG (4x22)- 4



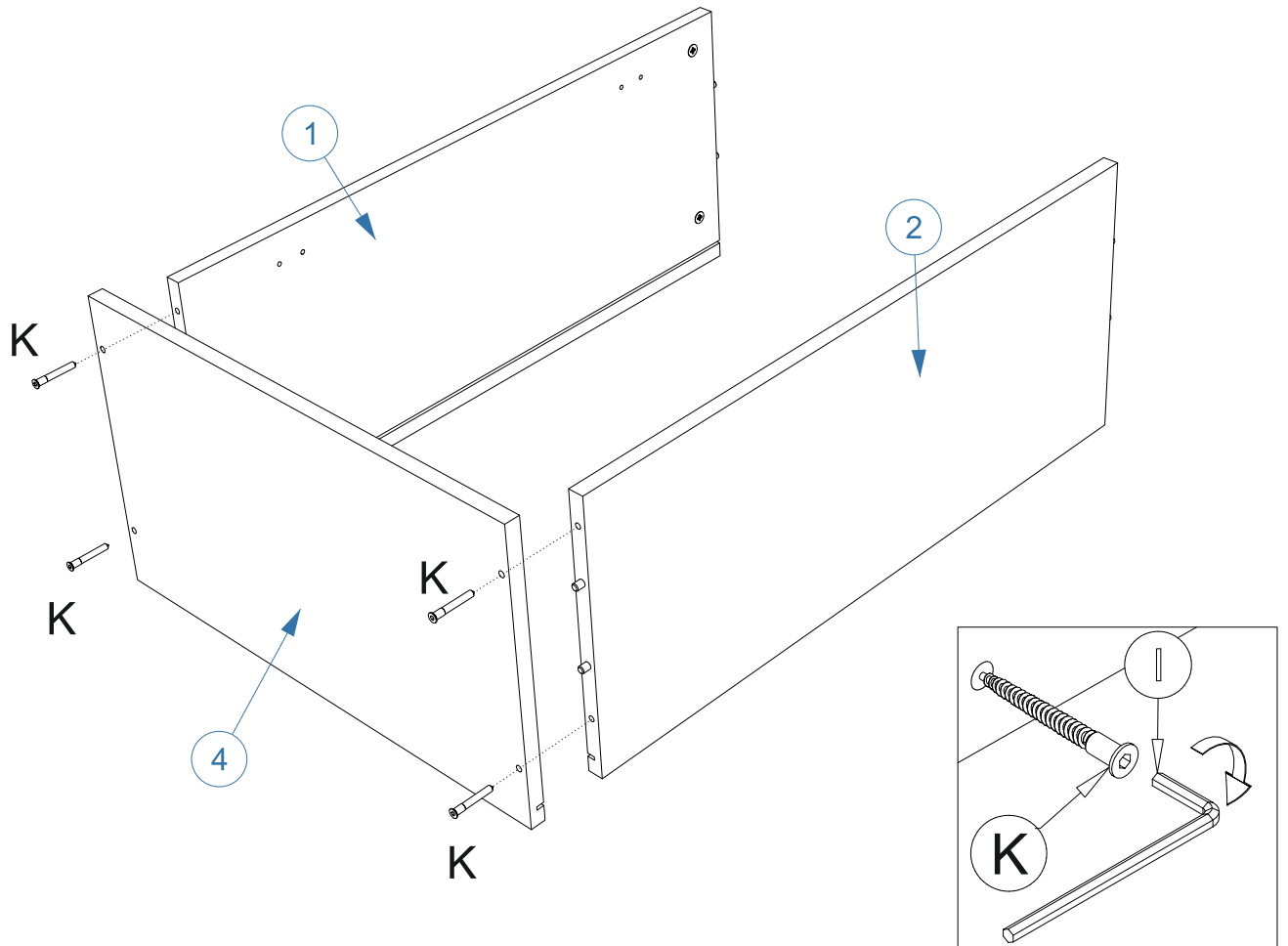
№	A	B	X	
				
1	794	380	1	1
2	794	380	1	
3	600	352	1	
4	600	352	1	
5	786	295	1	
6	786	295	1	
7	562	305	2	
8	810	289	1	
9	810	289	1	



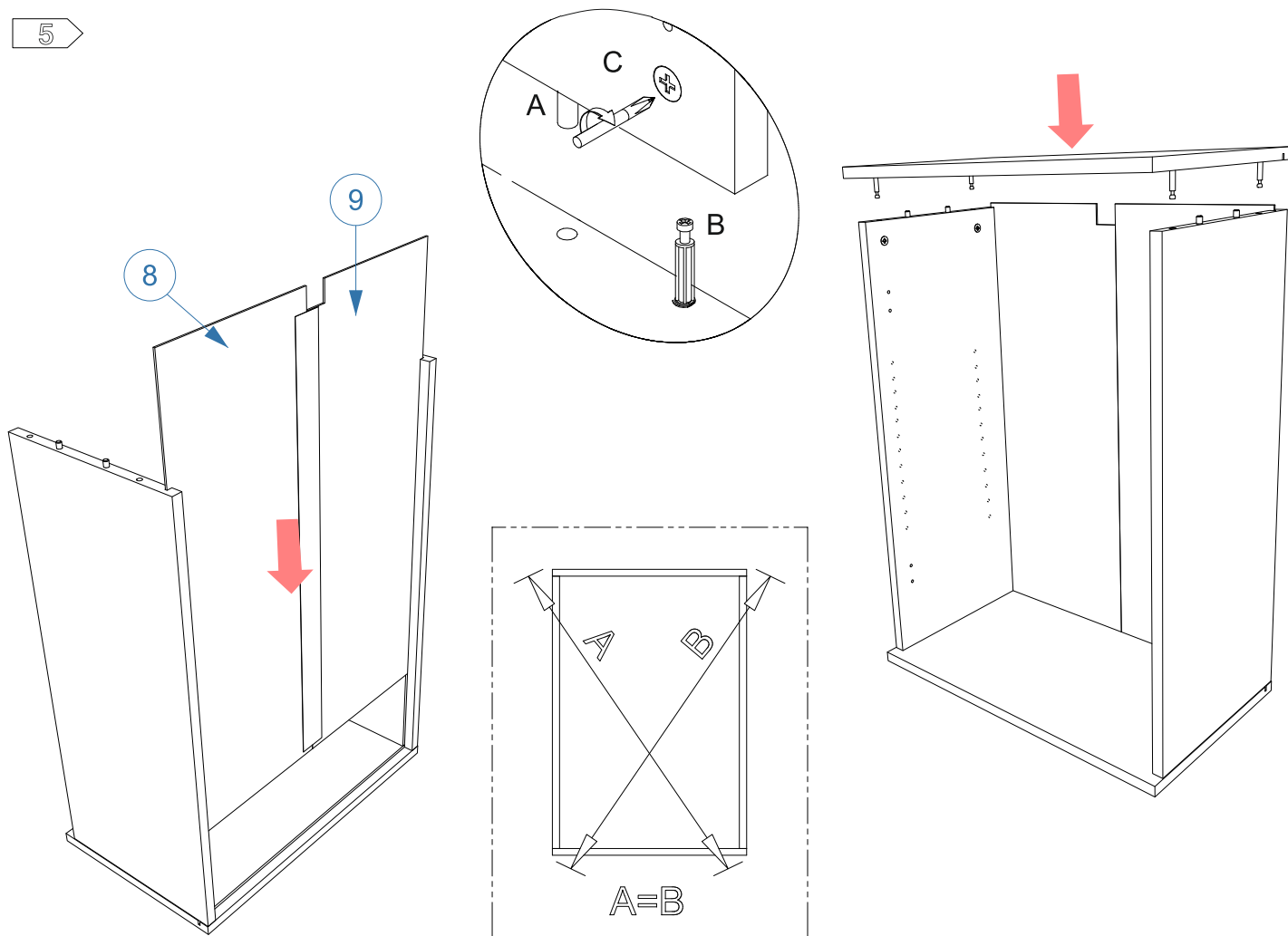
3



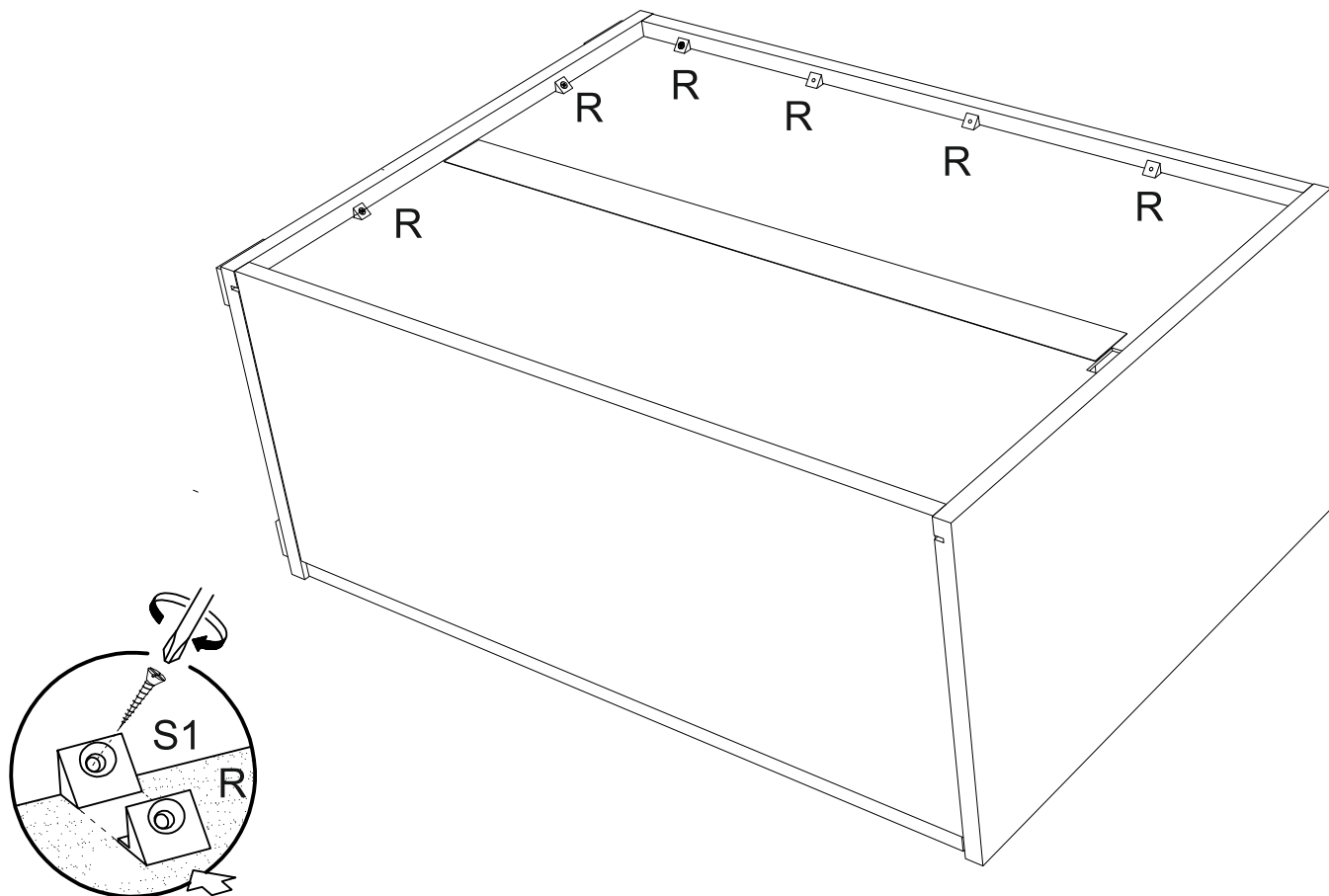
4



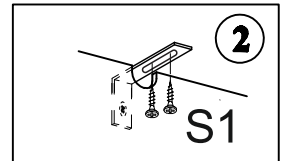
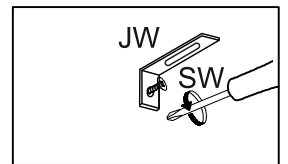
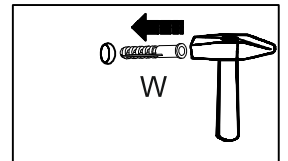
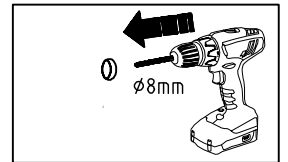
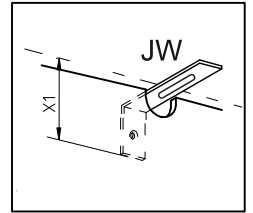
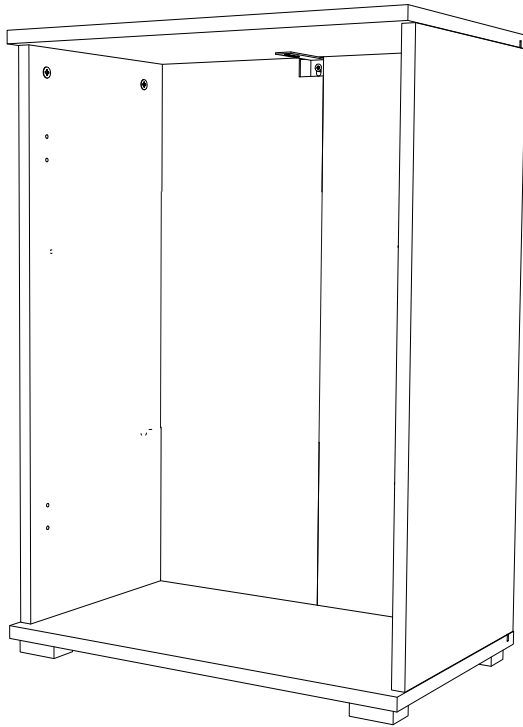
5



6



7



8

